



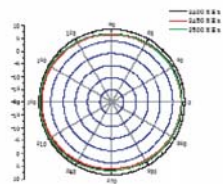
Art No. WL0094

2.4GHz Outdoor Omni-directional Antenna, 10dBi

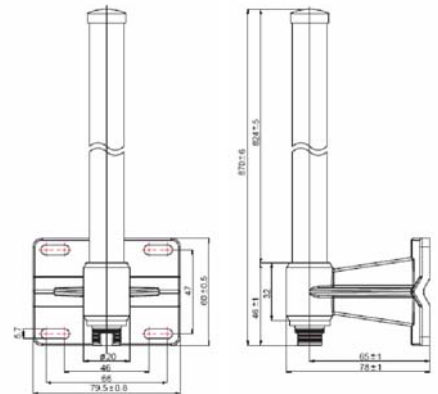
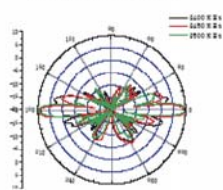
Specification:

| | |
|----------------------|---------------------------|
| Frequency range | 2400-2500 MHz |
| Gain | 10 dBi |
| VSWR | 2.0: 1 Max. |
| Polarization | Linear, vertical |
| Impedance | 50 Ω |
| HPBW / horizontal | 360° |
| HPBW / vertical | 10° |
| Downtilt | 0° |
| Power handling | 10W (cw) |
| Connector | N Female |
| Survival wind speed | 216 km/hr |
| Temperature | -40°C to +80°C |
| Humidity | 95% @25°C |
| Lightning protection | DC ground |
| Mounting Kit | Wall mount & Window mount |
| Radome color | Gray-White |
| Radome material | Fiber glass |
| Weight | 350g |
| Dimensions | Ø19x870 mm |

H-plane Co-polarization Pattern



V-plane Co-polarization Pattern



Packaging Information:

- Packing Dimension: 85x980x85 mm
- Packing Weight: 2.66kgs
- Carton Dimension: 1010x365x290 mm
- Carton Q'ty: 4pcs
- Carton Weight: 12.18kgs

* The specifications and pictures are subject to change without notice.
 *All trade names referenced are the registered network of their respective owners.

