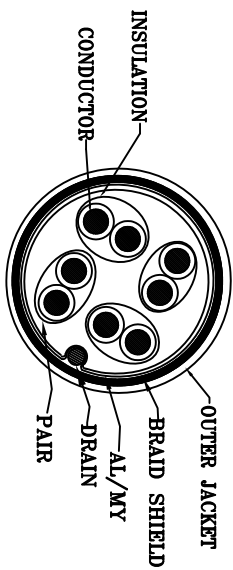
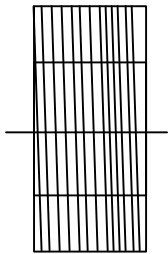
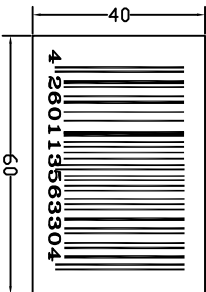
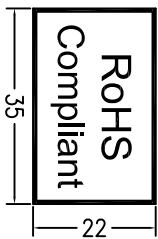
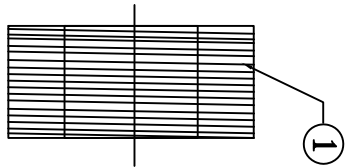
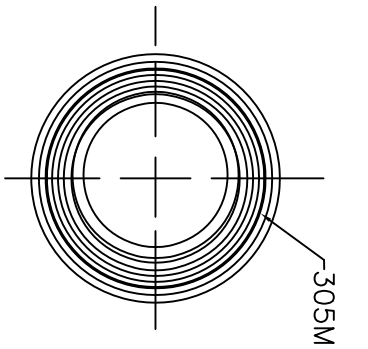


ITEM NO:	REMARK
CPV009	



WIRE SECTION



- NOTES:
- 1) CABLE LENGTH: 305M
 - 2) EASY PULL WHITE BOX
 - 3) IPC 50*90MM Sticker on both sides of white box
 - 4) IPC 40*60MM EAN label on shipping mark of outer carton
 - 5) ROHS label stick next to EAN label
 - 6) CABLE with ROHS compliant

CABLE:
 1) CAT.5E SFTP 26#4P(1/0.45)CCA, AL/MY+D.W.+BRAID 30%, SOLID TYPE OD:6.2MM
 LIGHT GRAY(3014), 305M/ROLL (ROHS)
 CABLE PRINTER:SFTP CAT.5e NETWORKING INSTALLATION CABLE AWG 26/1*4P

A	FIRST EDITION		
REV	DESCRIPTION	DR	DATE
2DIRECT GMBH			
TITLE	P/N	CPV009	
SFTP CABLE (ROHS)	DR	g7m2e 04/10/07	
Drawing no.: 0264	APPD:	CONF:	UNIT:MM
CHKD:			SIZE:A4